

# A0 INSTALLATION DRAWING

IF THIS DOCUMENT IS PRINTED IN HARD COPY, IT IS FOR INFORMATION USE ONLY AND THEREFORE IS NOT SUBJECT TO UPDATING CONTROLS. ALWAYS REFER TO SOLIDWORKS VIEWER FOR LATEST ISSUE



THIS DRAWING IS CONFIDENTIAL AND IS SUPPLIED ON THE EXPRESS CONDITION THAT IT SHALL NOT BE LOANED OR COPIED OR DISCLOSED TO ANY OTHER PERSON OR USED FOR ANY OTHER PURPOSE WITHOUT THE WRITTEN CONSENT OF AP RACING LTD.

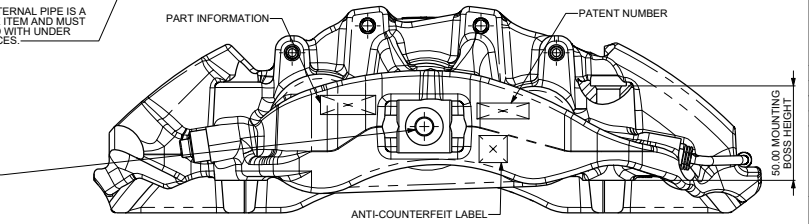
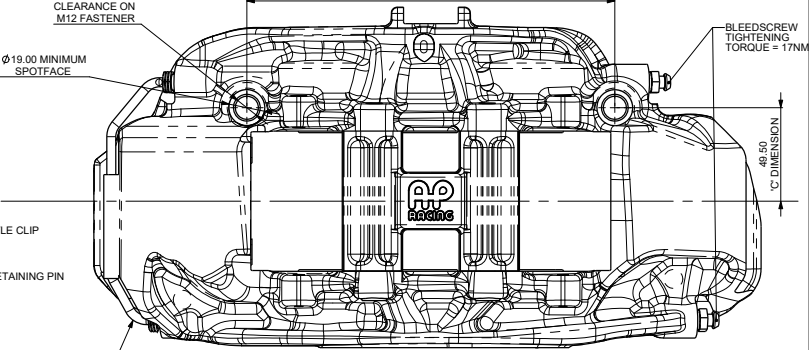
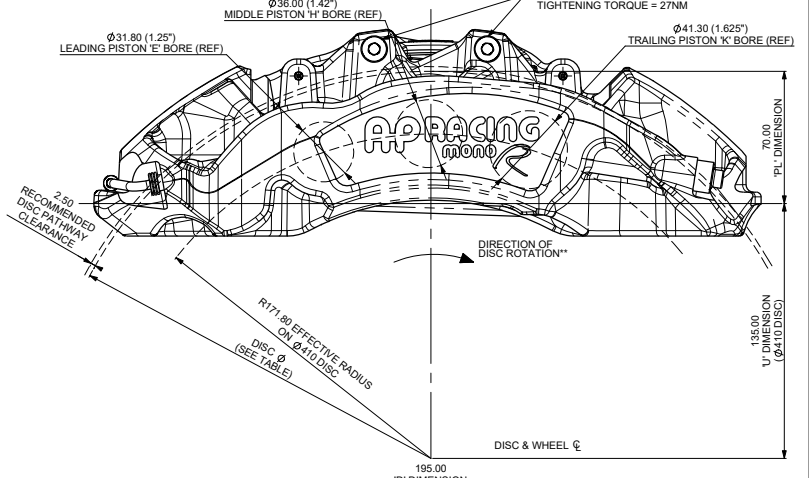
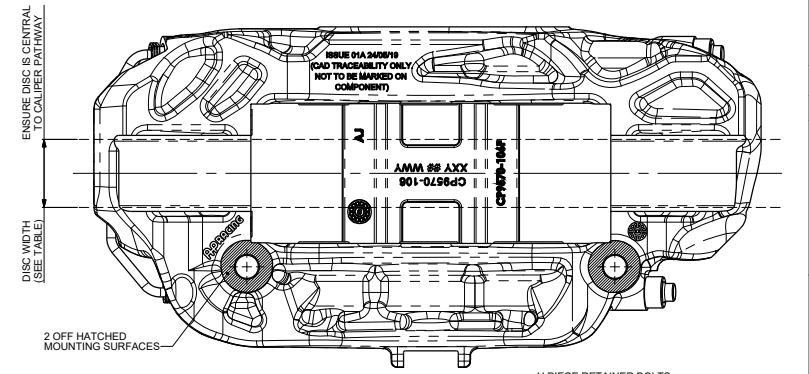
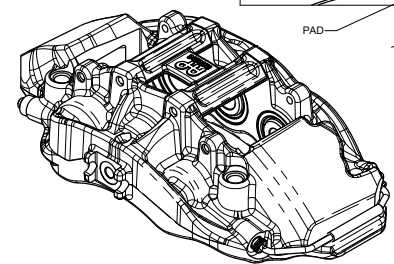
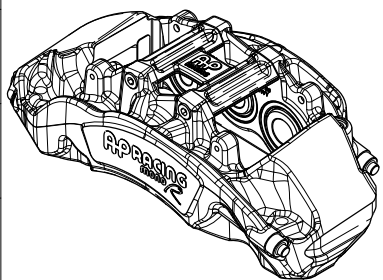
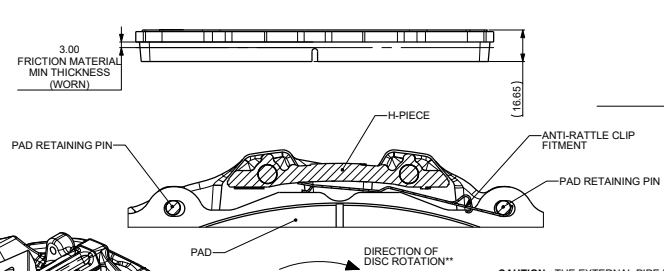
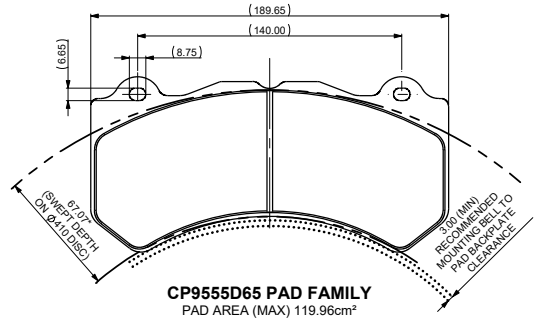
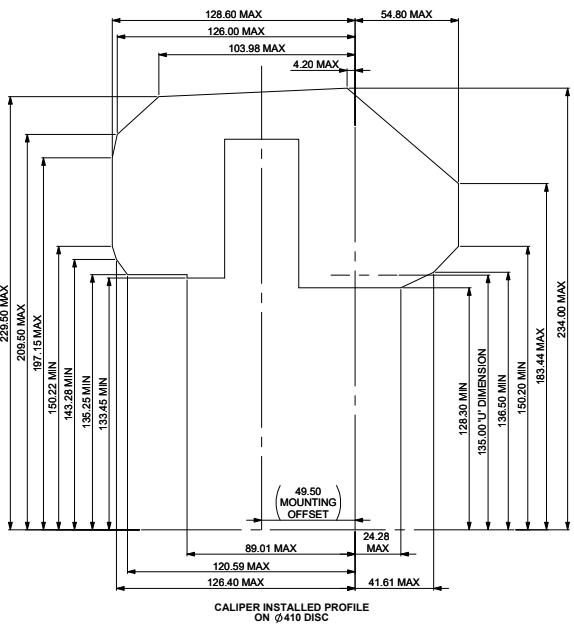
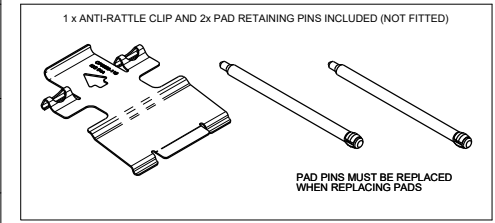
AP Racing  
Wheler Road  
Coventry  
CV3 4LB  
Tel: +44 024 7663 9595  
Fax: +44 024 7663 9559  
e-mail: sales@aprac.com  
© AP Racing Ltd 2022  
Web site: HTTP://www.aprac.com

CALIPER SPECIFICATION	
PISTON AREA	31.5cm <sup>2</sup> (PER PAD)
DISC DIAMETER MAX	63.0cm <sup>2</sup> (TOTAL)
DISC DIAMETER MAX	410.00 (SWEEP DEPTH = 67.07°)
DISC DIAMETER MIN	370.00 (SWEEP DEPTH = 65.00°)
DISC THICKNESS MAX	36.00
DISC THICKNESS MIN	35.00 (DIFFERENTIAL WEAR NOT TO EXCEED 0.50mm SIDE TO SIDE)
DISC ROTATION	ROTATING DISC MUST PASS SMALLEST PISTON FIRST **
WORKING PRESSURES	SEE DATA SHEET P14.376 (AVAILABLE FROM AP RACING TECHNICAL DEPARTMENT)
DRY WEIGHT (LESS PADS)	4.66kg (EST)
DRY WEIGHT (INC. PADS)	6.65kg (EST)
PAD RETENTION	2 x FRICTION RETAINED PINS
RECOMMENDED	
WHEEL/CALIPER CLEARANCE	4.00 (MIN)
RECOMMENDED PAD FRICTION MATERIAL	APF405
SEAL KIT	CP4527-EHK
ANTI-RATTLE CLIP	CP9555-110
PAD RETAINING PIN	CP7555-116
EVLV COMPLIANCE	ALL MATERIALS AND COATINGS COMPLY WITH END OF LIFE VEHICLES (2000/53/EC)

AVAILABLE PART NUMBERS	
PART NUMBER	DESCRIPTION
CP9570-250##	RIGHT HAND TRAILING (BEHIND AXLE)
CP9570-350##	LEFT HAND TRAILING (BEHIND AXLE)
CP9570-450##	RIGHT HAND LEADING (IN FRONT OF AXLE)
CP9570-550##	LEFT HAND LEADING (IN FRONT OF AXLE)
## = COLOUR CODE	
FOR AVAILABLE COLOURS AND FURTHER TECHNICAL INFORMATION PLEASE REFER TO THE PRODUCT CATALOGUE, AP RACING.COM OR CUSTOMER SERVICES	

TYPICAL MAX. VEHICLE GVW		
	VEHICLE CONFIGURATION	
CALIPER INSTALLED POSITION	FRONT ENGINE	REAR ENGINE
FRONT AXLE APPLICATION	3500 kg ( 7720 lbs)	4100 kg ( 9040 lbs)
REAR AXLE APPLICATION	6140 kg ( 13540 lbs)	4900 kg ( 10800 lbs)

MAXIMUM WORKING CALIPER PRESSURE	200 Bar (2900 Psi)
----------------------------------	--------------------



FEED PORT M10 x 1.0 9.50 MIN FULL THREAD

TYPICAL TIGHTENING TORQUE:

- FITTING WITH ONE COPPER GASKET - 13NM +45°
- FITTING WITH TWO COPPER GASKETS - 13NM +90°

RESULTING MAX TORQUE MUST NOT EXCEED 30NM.

Alterations		Date & No.	Particulars	Drawn	Checked
01	06/05/2019	R4501_05	FIRST ISSUE	JH	DF
02	31/10/2019	R4501_15	COMPATIBLE DISC TABLE REMOVED	JH	DF
			CALIPER MAX GVW TABLE ADDED	JH	DF
			LASER ETCHING DETAILS & ANTI-COUNTERFEIT LABEL LOCATION ADDED	JH	DF
03	08/11/2019	R4501_16	CALIPER MAX GVW TABLE UPDATED	JH	DF
			CALIPER MAX WORKING PRESSURE UPDATED WAS 130 BAR NOW 200 BAR	JH	DF
04	19/08/2022	R5010_02	'AVAILABLE COLOURS' REMOVED FROM SPEC TABLE	JH	DF

SCALE 1:1	SHEET 1 OF 1
DRAWN JHALEY	
APPROVED	
DERIVED FROM CP9555-1CD	
TITLE	
6 PISTON HPK MONOBLOC CALIPER	
<MOD-DIAM>31.80x<MOD-DIAM>36.0x<MOD-DIAM>	
DRG NO.	CP9570-1CD